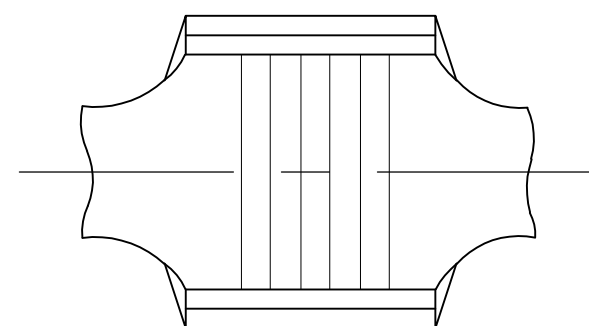
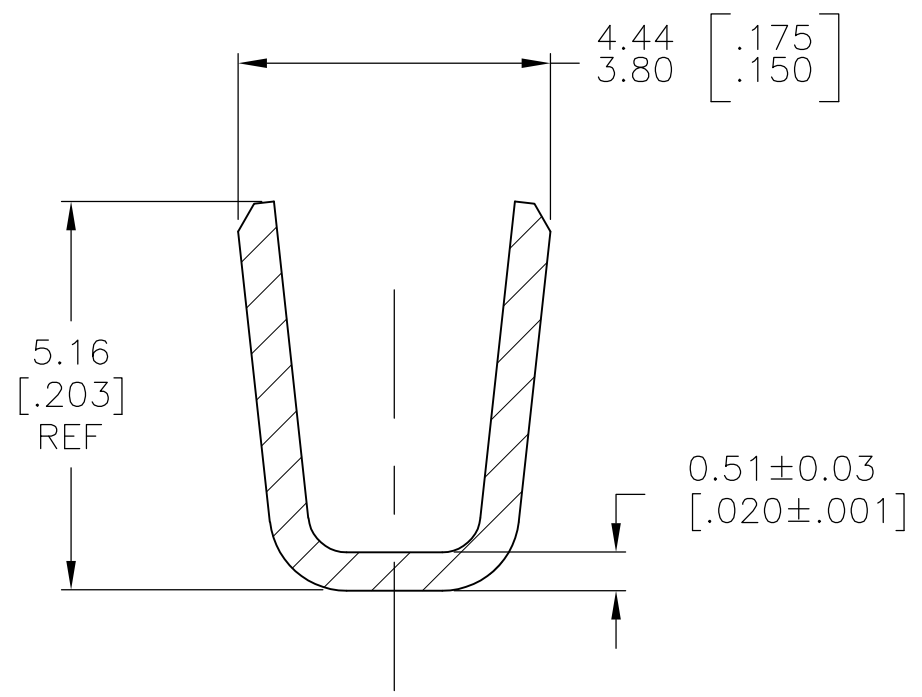
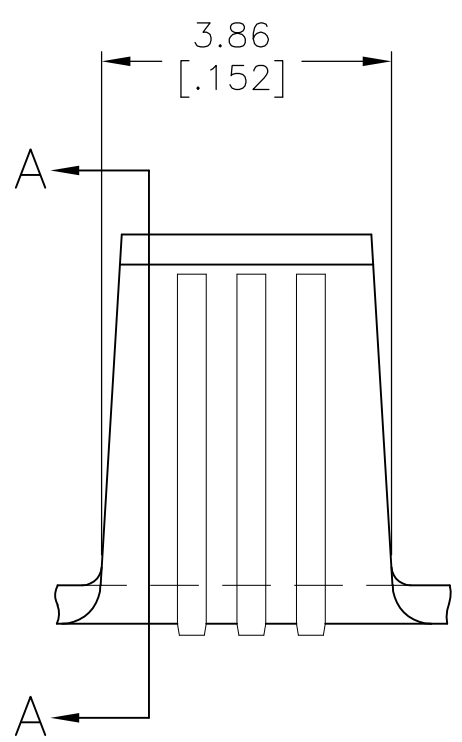


THIS DRAWING IS UNPUBLISHED. RELEASED FOR PUBLICATION
 © COPYRIGHT BY TYCO ELECTRONICS CORPORATION. ALL RIGHTS RESERVED.

| LOC | DIST | REVISIONS | | | |
|-----|------|-------------|---------------------------|---------|--------|
| P | LTR | DESCRIPTION | DATE | DWN | APVD |
| AF | 50 | P6 | REVISED PER ECR-07-028917 | 04DEC07 | HMR GP |



- 1 PRODUCT PROVIDED IN STRIP FORM ON REELS; BREAKS MAY BE PRESENT.
- 2 WIRE RANGE: 3300 TO 9000 CMA
- 3 CRIMP WIDTH: .140 F TYPE
 CRIMP HEIGHT $(\pm 0.002) = (\text{TOTAL CMA} + 14,600) / 223,200$
 FOR APPLICATOR INFORMATION CALL: 1-800-722-1111
 FOR PRODUCT INFORMATION CALL: 1-800-522-6752



SECTION A-A

| | |
|-----------------|---------|
| CU-NI-SI C70260 | 40509-1 |
| BRASS C26000 | 40509 |
| MATERIAL | PART NO |

| | | | | |
|--|--|-------------------------|---|-----------------|
| THIS DRAWING IS A CONTROLLED DOCUMENT. | | DWN RAGHAVENDRA 21DEC06 | Tyco Electronics Corporation Harrisburg, PA 17105-3608 | |
| DIMENSIONS: mm [INCHES] | TOLERANCES UNLESS OTHERWISE SPECIFIED: | CHK G.D.PORTA 04JAN07 | NAME | |
| | 0 PLC ± - | APVD G.D.PORTA 04JAN07 | PRODUCT SPEC | |
| | 1 PLC ± - | | APPLICATION SPEC | |
| MATERIAL SEE TABLE | FINISH NONE | | SIZE A3 | CAGE CODE 00779 |
| | | WEIGHT - | DRAWING NO C-40509 | RESTRICTED TO - |
| CUSTOMER DRAWING | | | SCALE 10:1 | SHEET 1 OF 1 |
| | | | REV P6 | |